

# Pressure Sensors

## Compact Block & Bleed Universally Ported Pilots

1/4" SENSOR, HIGH/LOW RANGE 800-5,700 PSI,

6,000 PSI MAX PRESSURE, PANEL MOUNT

Model 72KS25



Conforms to the SEP category of the European Pressure Equipment Directive  
Issue No. 97/23/EC

The **72KS25** is a two position, three-way block and bleed (universally ported) pressure monitoring Flow Line Pilot. It can be connected to respond as either a High (rising/increasing) or Low (falling/decreasing) pressure sensing device. In the **Pressure Safety High (PSH)** application, the Pilot is designed to lose instrument supply output whenever the high-pressure setting is exceeded. Employed in the **Pressure Safety Low (PSL)** mode of operation, the pressure sensor will gain instrument supply output whenever the low-pressure setting is surpassed.

Three-way Block & Bleed Pilots are used to initiate safety valve closure and safeguard facilities upon detection of an abnormal high or low process pressure. In other applications, they are used to start/stop control sequences within particular pressure range limits.

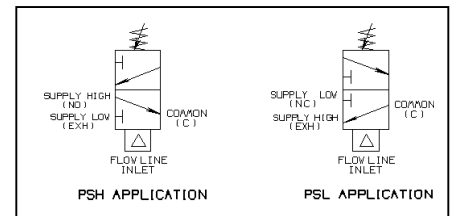
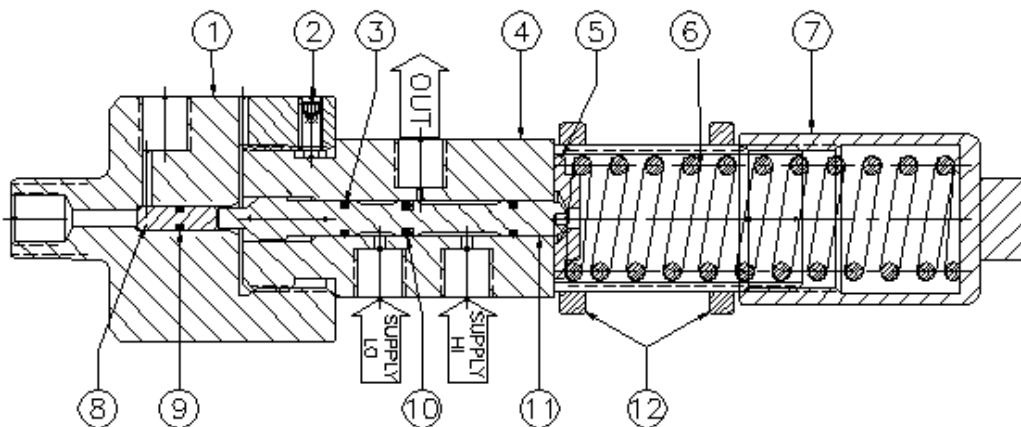
### PARTS LIST:

- |                 |                    |
|-----------------|--------------------|
| 1. Lower Body   | 7. Spring Adjuster |
| 2. Lock Screw   | 8. Piston          |
| 3. O Ring (2) * | 9. O Ring *        |
| 4. Body         | 10. O Ring *       |
| 5. Spring Guide | 11. Plunger        |
| 6. Spring       | 12. Lock Nuts (2)  |

\* Indicates parts included in a Repair Kit

### VALUE ADDED FEATURES:

- 316 SS Full Flow (Cv .97) Design
- Holds constant and accurate set points
- 1% +/- Repeatability on set points
- Minimum Dead Band Range between Trip & Reset Pressure
- Multi-ported & 360° Swivel Piston Sensor Base
- Panel Mount Lock Ring Standard
- Available Set Point Scale Option



**Manufacturing Headquarters**  
1100 Valwood Parkway, Suite 112  
Carrollton, TX 75006

**SIGMA**  
VALVES

Tel: +1 (972) 446 8250  
Fax: +1 (972) 446 8642  
<http://www.sigmapilots.com>

# Sigma Model Number 72KS25

1/4" SENSOR, HIGH/LOW RANGE 800-5,700 PSI, 6,000 PSI MAX PRESSURE,  
PANEL MOUNT

---

## Product Specifications

---

**Flow Control Application:** Low Pilot (PSL) Normally Closed, High Pilot (PSH) Normally Open

**Control Function:** Three-Way (Block & Bleed)

**Piston Sensor Size:** 1/4" diameter

**Adjustment Range Capability:** 800 PSI to 5700 PSI

**Panel Mount:** 1-1/2 Diameter

**Control Ports Pressure:** 150 PSI (10.34 bar) maximum

**Flow Line:** 6,000 PSI (413 bar) maximum

**Seal Material:** Viton

**Instrument Supply Media (Control Ports):** Pneumatic, Hydraulic

**Instrument Supply Media (Flow Line):** Process Fluids, Natural Gas, Hydraulic or Pneumatic

**Connection Size:** 1/4-18 Female N.P.T. Control Ports, 1/2-14 Male N.P.T. Flow Line connection

**Component Material (Metal):** 316 Stainless Steel

**Cv Factor:** .097

**Weight:** 5.5 Lbs.

**Operating Temperature:** -20° F to +250° F (-29° C to +121° C)

**Overall Dimensions:** 10 Height x 2-1/2 Diameter (25.40 cm Height x 6.35 cm Diameter)

**Pressure Equipment Directive (PED):** This product conforms to the SEP Category of the European P.E.D.

**Shelf Position Port Status** Pressure Safety High (PSH/PSHH)

**Supply High** Instrument Supply Open to Common Port

**Common** Outlet to receiving control circuit (Open to Supply High Port)

**Supply Low** Exhaust Port (Closed).

**Shelf Position Port Status** Pressure Safety Low (PSL/PSLL)

**Supply Low** Instrument Supply Closed to Common Port

**Common** Outlet to receiving control circuit (Open to Supply High)

**Supply High** Exhaust Port (Open to Exhaust)

### **Repair Kit Information**

Repair Kits contain all of the Seals and other components typically replaced when repairing the assembly. In order to maintain optimum operating control function, Sigma recommends changing the Repair Kit items once every two (2) years.